






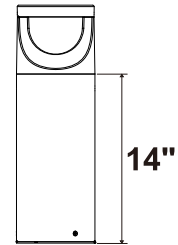
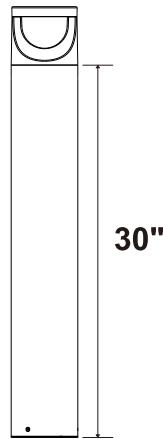


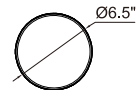
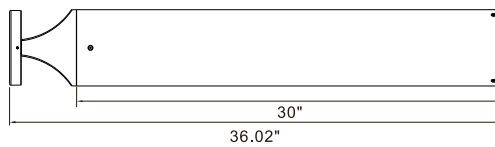
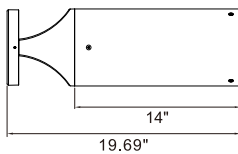
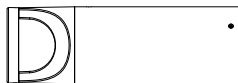
## Instruction Manual

### Installation Instructions

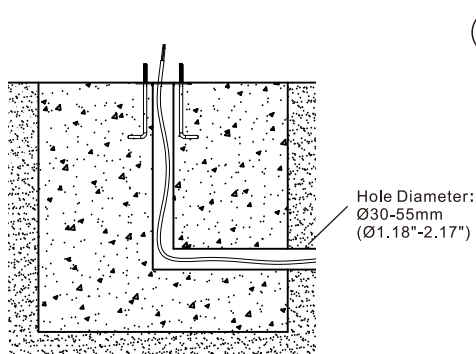
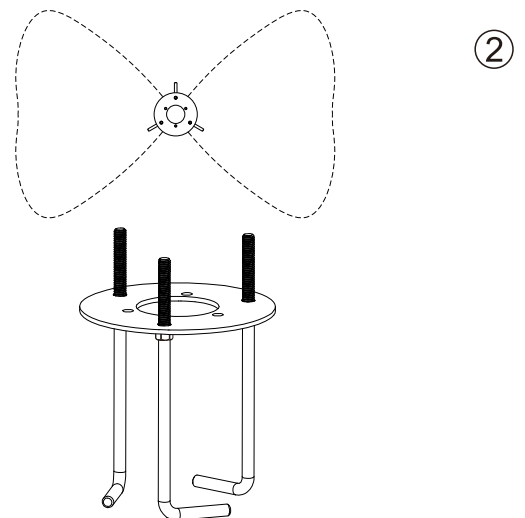
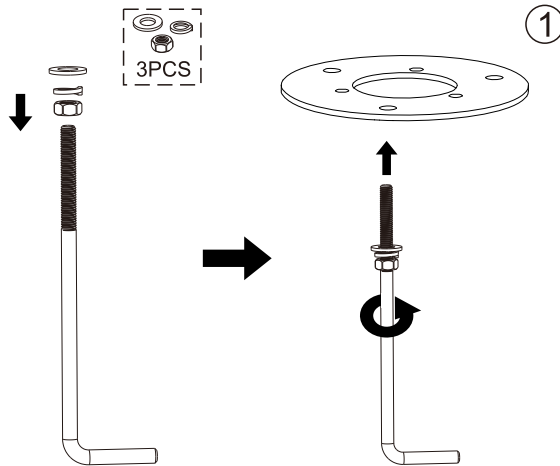
Packing List		
	Base plate templates	1PCS
	Screw fixing plate	1PCS
	Screw M5*16	5PCS
	Screw M10	3PCS
	Nut M10	6PCS
	Washer M10	6PCS
	Locking Washers M10	3PCS



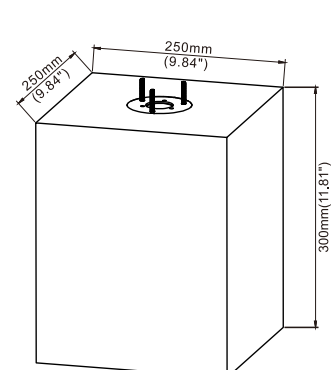
### Physical Dimensions



### Installation



Suggested cement column size



## Instruction Manual

The direction of light should be on both side of notch. Please install bollard head properly.

## Power & CCT Selectable

\* Roughly ratio, subject to change to various drivers.

Product Specifications	22W	
Input Voltage	120-277Vac	
Power Frequency	50 / 60 Hz	
Size	Ø6.5"x19.69"	Ø6.5"x36.02"
Net Weight	4.5±0.3kg(9.92±0.66Lbs)	6.7±0.3kg(14.77±0.66Lbs)
Working Temperature	-30°C to +50°C(-22°F to +122°F)	
Storing Temperature	-40°C to +70°C(-40°F to +158°F)	

### AC cords

L	brown	black
N	blue	white
⊕	yellow/green	green

### DIM cords

Note: color for dim cords subject to the cable label on luminaire



Warning! Do not wire dim cord to high voltage, or dim function will fail.

- This luminaire can be outdoor use.
- For type Y attachments: if the external flexible cable or cord of this luminaire is damaged, it shall be exclusively replaced by the manufacturer or his service agent or a similar qualified person in order to avoid a hazard.
- The light source contained in this luminaire shall only be replaced by the manufacturer or his service agent or a similar qualified person.